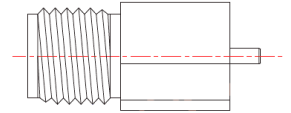


ERF6022, RF connector, SMA Female, SMT Mount

Features

Mechanical Properties

Parameter:	Description
Connector Type:	SMA Female SMT
Dimensions:	13 x 7 x 7 mm ± 0.1
Operating Temperature Range:	-55°C~+155°C
Storage Temperature Range:	-55°C~+155°C
Impedance:	50 Ω
Frequency Range:	0 – 6GHz
VSWR:	1.3 max.
Working Voltage:	500Vrms @sea level
Insulation Resistance:	5000 Ω min.



Typical applications

- RF connections
- Antenna connector
- Antenna cable connector

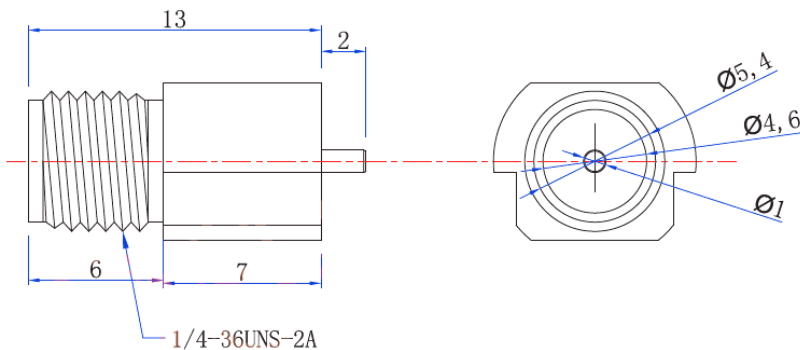
Description

The ERF6022 is a RF connector suitable for RF applications. The connector is a SMA Female SMT mount connector. It can be used for RF connections and as antenna connector.

Dimensions

*unit: mm

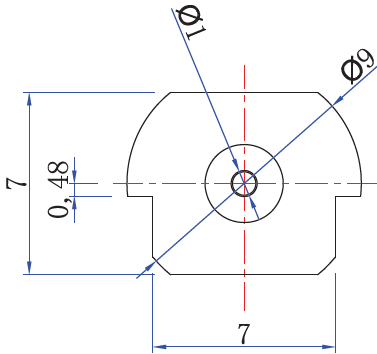
Part	Description	Material	Finish
1	Body	Brass	Gold
2	Center Pin	Brass	Gold
3	Insulator	PTFE	White



ERF6022, RF connector, SMA Female, SMT Mount

PCB Footprint

*unit: mm

**Ordering information**

Ordering can be done via www.summit-electronics.com or via info@summit-electronics.com. Please contact us for more information. Customisation of the product is available on request.

Technical support

For all product questions please contact us via info@summit-electronics.com